

29.7 cu. ft. InstaView™ Door-in-Door® French Door Refrigerator



- 29.7 cu. ft. Capacity
- InstaView™ Door-in-Door®
- Dual Ice Maker with Craft Ice™
- Smart Cooling Plus™ System
- Door Cooling +
- Measured Fill
- Premium LED Lighting
- Dual Evaporators
- Cool Guard Stainless Steel Back Wall
- LG ThinQ® Technology (Wi-Fi)



COLOR AVAILABILITY	
● LRFVS3006S – PrintProof™ Stainless Steel	
● LRFVS3006D – PrintProof™ Black Stainless Steel	
CAPACITY	
Refrigerator (cu. ft.)	19.3
Freezer (cu. ft.)	10.4
Total Capacity (cu. ft.)	29.7
ENERGY	
Energy Consumption (kWh / Year)	770
ENERGY STAR® Qualified	Yes
WATER & ICE SYSTEM	
Ice & Water Dispenser	Yes
Dispenser Type	Integrated Ice & Water
Measured Fill	Yes
Dual Ice Maker	Yes, with Craft Ice™
Ice System	Slim SpacePlus®
Daily Ice Production	3.5 lbs.
IcePlus™ Production	3.8 lbs.
Craft Ice™ Daily Ice Production	0.4 lbs.
Ice Storage Capacity	3.0 lbs. + 3.3 lbs.
Dispenser Light	Yes
Water Filter	LT1000P (NSF-Certified*)
COOLING	
Compressor Type	Linear Compressor
Dual Evaporators	Yes
Cooling System	Smart Cooling Plus™
Multi-Air Flow™ System	Yes
Door Cooling+	Yes
Temperature Sensors	9
Fresh Air Filter	Yes

CONVENIENCE	
Display Type	Smooth Touch Control / White LED
Temperature Controls	Electronic / Digital
Door Alarm	Yes
Child Lock	Yes
Auto Closing Door Hinge	Yes
ADA Compliant	No
Sabbath Mode	Yes (Star-K-Certified)
LoDecibel™ Quiet Operation	Yes
REFRIGERATOR	
No. of Shelves	4 Split (3 Fixed + 1 Folding)
Cantilevered Shelves	Yes
Shelf Construction	Spill Protector™ Tempered Glass
Crisper Bins	2 Humidity Crispers
Glide N' Serve™ Pantry Drawer	Yes, with Digital Control
Cool Guard	Yes
Refrigerator Light	Micro Surface LED
REFRIGERATOR DOOR	
InstaView™ Door-in-Door®	Yes
Door-in-Door® with ColdSaver™ Panel	Yes
No. of Door Bins	8
Door Bin Construction	1 Piece (Clear)
FREEZER	
Freezer Type	Pull Drawer
Freezer Drawers	3-Tier Organization
DuraBase™ Solid Drawer Base	Yes
Drawer Divider	Yes
Ice Storage	Ice Maker & Ice Bin in Freezer
Freezer Light	Premium LED
Freezer Handle	SmartPull™ Handle

SMART FEATURES

Wi-Fi Enabled	Yes
ThinQ®	Yes
Proactive Customer Care	Yes
Voice Control	Google Assistant, Amazon Alexa
SmartDiagnosis™	Yes
Remote Monitoring	Yes

MATERIALS AND FINISHES

Hidden Hinges	Yes
Surface	Smooth
Fingerprint & Smudge Resistant Exterior	Yes
Handles	Matching Handles

ACCESSORIES

Replacement Water Filter	LT1000P
Replacement Fresh Air Filter	LT120F

TECHNICAL SPECS

Required Power Supply	115 V, 60 Hz, 15 Amp
Plug Type	3-Prong
Power Cord Location	Top
Min. / Max. Water Pressure	20 – 120 psi

DIMENSIONS / CLEARANCES / WEIGHTS

Depth with Handles	36 5/8"
Depth without Handles	34 1/8"
Depth without Door	29 7/8"
Depth (Total with Door Open)	48 1/2"
Height to Top of Case	68 7/8"
Height to Top of Door Hinge	70 1/4"
Width	35 3/4"
Width (Door Open 90° with Handle)	44 1/4"
Width (Door Open 90° without Handle)	40"
Door Edge Clearance with Handle	4 1/4"
Door Edge Clearance without Handle	2 1/8"
Installation Clearance	Sides 1/8", Top 1", Back 2"
Approx. Weight (Product / Carton)	341 lbs. / 368 lbs.
Carton Dimensions (WxHxD)	38" x 73" x 39"

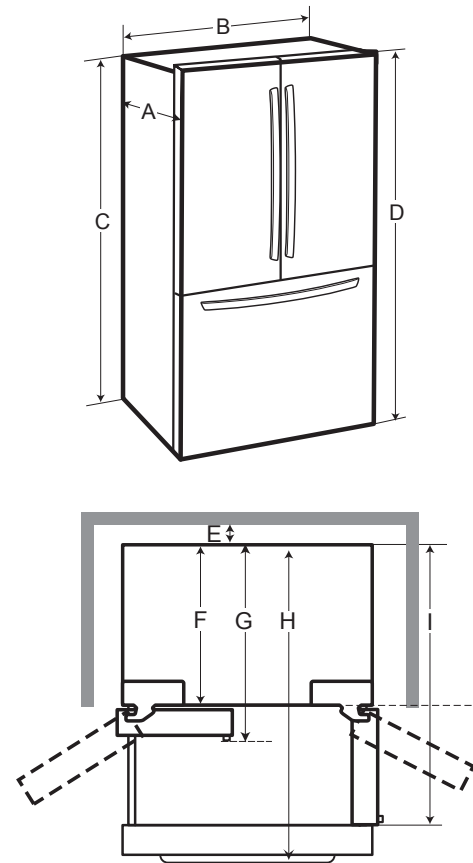
LIMITED WARRANTY

Parts & Labor	1 Year
Sealed System (Parts & Labor)	5 Years
Compressor (Parts & Labor)	5 Years
Linear / Inverter Compressor (Parts Only)	10 Years



*System tested and certified by NSF® International against NSF / ANSI Standard 42, Standard 53 and Standard 401.

DIMENSIONS / CLEARANCES



DIMENSIONS / CLEARANCES

A	Depth without Handles	34 1/8" (866 mm)
B	Width	35 3/4" (908 mm)
C	Height to Top of Case	68 7/8" (1750 mm)
D	Height to Top of Hinge	70 1/4" (1785 mm)
E	Back Clearance	2" (50 mm)
F	Depth without Door	29 7/8" (758 mm)
G	Depth with Handle	36 5/8" (929 mm)
H	Depth (Total with Freezer Drawer Open)	57 3/4" (1466 mm)
I	Depth (Total with Door Open 90°)	48 1/2" (1231 mm)

INSTALLATION NOTES

- The installation location chosen for the refrigerator should allow space behind the unit for connections and airflow and space in front to open the doors and drawers.
- Too small of a distance from adjacent items may result in lowered freezing capability and increased electricity consumption charges. Allow at least 24 inches (610 mm) in front of the refrigerator to open the doors, and at least 2 inches (50.8 mm) between the back of the refrigerator and the wall.